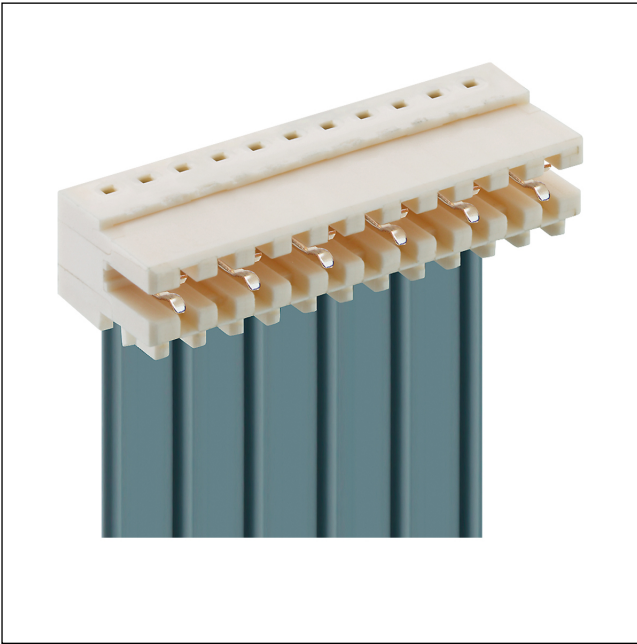


35

3523-2

RAST 2.5 connectors, pitch 2.5/5.0 mm



RAST 2.5 connector for direct and indirect mating,  
insulation displacement technology (IDT), for ribbon cable  
contact pitch 5.0 mm

---

State: Active

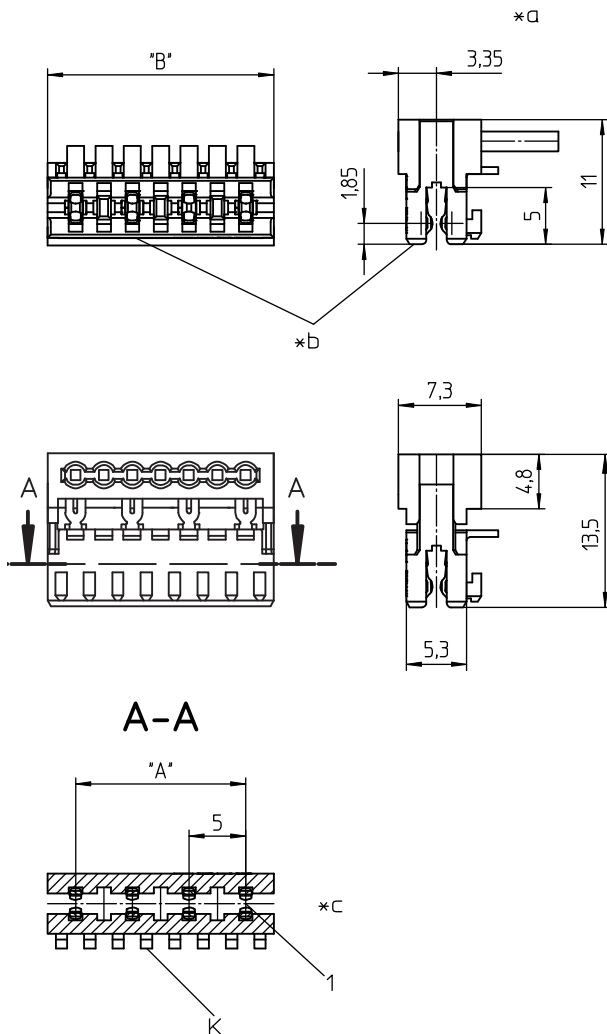
---

---

Approvals:  

---

35 3523-2



### Environmental conditions

Temperature range -40 °C/+130 °C<sup>1</sup>

<sup>1</sup> upper limit temperature (insulating body) RTI (electrical) of the UL Yellow Card

### Materials

Insulating body PBT, V-0 according to UL94 – 3523-2 (S...V...)  
PA, V-2 according to UL94 – 3523-2 M12(S...V...)<sup>1</sup>


Contact spring CuSn, tin-plated – 3523-2 (M...S...)  
CuSn, tin-plated (Sn/Ag), 2-9 poles – 3523-2 (M...S...)V03  
CuSn, pre-nickel and gold-plated – 3523-2 (M...S...)V102

<sup>1</sup> M12: component glow wire resistant (GWT 750 °C), testing acc. to IEC 60695-2-11, assessment acc. to IEC 60335-1 (flame < 2 s)

### Mechanical data

Mating with Leiterplatte 1,5 ± 0,14 mm  
Insertion force/contact ≤ 4,0 N  
Withdrawal force/contact ≥ 0,5 N  
Keying proposals at [www.lumberg.com](http://www.lumberg.com) 

### Connectable conductors for IDT area

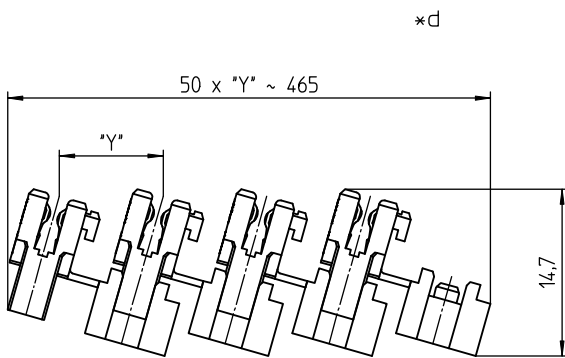
Construction discrete conductor, flat cable 2.5 mm  
Section min. 0,14 mm<sup>2</sup>  
Section max. 0,38 mm<sup>2</sup>  
Insulation diameter ≤ 1,6 mm  
Approved cables at [www.lumberg.com](http://www.lumberg.com) 

### Electrical data (at T<sub>amb</sub> 20 °C)

Contact resistance ≤ 5 mΩ  
Rated current 4 A (T<sub>U</sub> 60 °C)  
2 A (T<sub>U</sub> 100 °C)  
Rated voltage 250 V AC  
Material group IIIa (IEC)/2 (UL) (CTI ≥ 250)  
Creepage distance 3,1 mm  
Clearance 3,1 mm  
Insulation resistance > 1 GΩ

35

3523-2



- \*a terminated connector
- \*b color marking:  
3523-2 (M...)S01 blue  
3523-2 (M...)S02 green  
3523-2 (M...)S03 brown
- \*c keying
- \*d chaining of the component parts (state of delivery)

#### Associated products

##### Counterparts

|          |          |          |
|----------|----------|----------|
| ☞ 3542   | ☞ 3542-1 | ☞ 3546   |
| ☞ 3546-1 | ☞ 3552   | ☞ 355295 |
| ☞ 355299 | ☞ 3556   | ☞ 83546  |

##### Accessories

☞ 3500

##### Harnessing equipment

|                |                   |          |
|----------------|-------------------|----------|
| ☞ HA3...e      | ☞ HA35-CA         | ☞ HA35e  |
| ☞ HA35e-CA     | ☞ HA35e-RK        | ☞ HZ-M35 |
| ☞ HZ35         | ☞ HZ35-K          | ☞ KHP35  |
| ☞ VARICON 7000 | ☞ VARICON 7000-RD |          |

| Designation | Pole Number | PU (Pieces) | MDQ (Pieces) | Dimensions |        |
|-------------|-------------|-------------|--------------|------------|--------|
|             |             |             |              | A (mm)     | B (mm) |
| 3523-2 02   | 2           | 3600        | 7200         | 5.0        | 9.9    |
| 3523-2 03   | 3           | 2250        | 4500         | 10.0       | 14.9   |
| 3523-2 04   | 4           | 1800        | 3600         | 15.0       | 19.9   |
| 3523-2 05   | 5           | 1350        | 2700         | 20.0       | 24.9   |
| 3523-2 06   | 6           | 900         | 2700         | 25.0       | 29.9   |
| 3523-2 07   | 7           | 900         | 2700         | 30.0       | 34.9   |
| 3523-2 08   | 8           | 900         | 2700         | 35.0       | 39.9   |
| 3523-2 09   | 9           | 450         | 2700         | 40.0       | 44.9   |
| 3523-2 10   | 10          | 450         | 2700         | 45.0       | 49.9   |

Designation to be completed by further details (e.g. for keying, color or material options).

**Packaging:**

chained, in a cardboard box